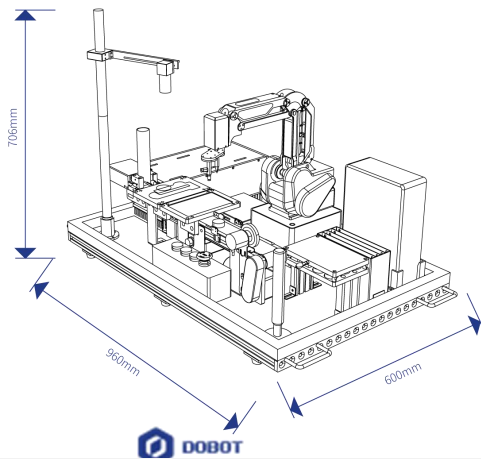


DOBOT MG400 Training Platform (without PLC)



Model		DT-AC-HDSR-001
Basic parameter		
	Power input	100~240 V AC, 50/60 Hz
	Output voltage	48 V, 24 V
	Total power	500 W
	Weight of training platform components	40 kg
	Platform size (L * W * H)	960 mm * 600 mm * 706 mm (highest point visual support)
	Total shipment weight of wooden cases	53 kg
	Size of wooden case (L * W * H)	1020 mm * 700 mm * 405 mm (carton)
Feed transmission module		
Conveyor	Size (L * W)	543 mm * 55 mm
	Material	Support structure: aluminum profile, belt: PVC
	Rated speed	6 m/min
	Driving mode	Adjustable-speed DC motor, 24 V, 1.2 A
	Encoder	Incremental encoder, resolution: 1000P/R, diameter: ϕ 40mm
	Control mode	I/O control, manual speed regulation
	Sensor	Motor sensor: 5882-50ZY
Feeding module	Material of charging barrel	PMMA
	Driving mode	Step screw drive, 2.45V, 0.5A, step angle: 1.8°
	Control mode	I/O drive
	Sensor	Photoelectric sensor, detection distance: 5~100 mm
Other auxiliary modules		
Storage tray	Number of stored goods	12
	Size	180 mm * 120 mm * 140 mm
Tray storage slot	Number	4
	Size	190 mm * 715 mm * 120 mm
MG400		
	Power supply	100~240 V AC, 50/60 Hz
	Rated voltage	48 V
	Rated power	240 W
	Body weight	8 kg
	Base size	190 mm * 190 mm
	Number of robot axes	4
	Maximum load	750 g
	Maximum range of motion	440 mm
	Repetitive positioning accuracy	\pm 0.05 mm
	Communication mode	TCP/IP, Modbus TCP
Vision module		
Camera	Effective pixels	5 megapixels
	Color	Multiple colors
	Frame rate/Resolution	31 @2592 *1944
	Data interface	USB3.0
	Camera interface	C-Mount
	Overall size	29 mm * 29 mm * 30 mm
	Weight	56 g
Six megapixels, 12mm prime lens	Focal length	12 mm
	Maximum size of image	1/1.8" (ϕ 9 mm)
	Aperture	F2.8-F16
	Control	Aperture (manual)Focus (manual)
	Interface	C-Mount
	Filter thread	M27 * 0.5
	Size	ϕ 29*35.36 mm
	Weight	0.48 kg
Light source	Emitting color	White
	Number of LEDs	48 luminous diodes
	Illuminance	40000 lux
	Wavelength	455~457.5 nm
	Working distance	35~110 mm
	Size	Inner diameter: 40 mm, outer diameter: 70 mm, height: 25 mm
	Outer diameter of lamp lens cone	
	Weight	Max ϕ 39 mm
		0.48 kg
Pump box		
	System power	20 W
	Noise	65 db
	Size	160 mm * 140 mm * 50 mm